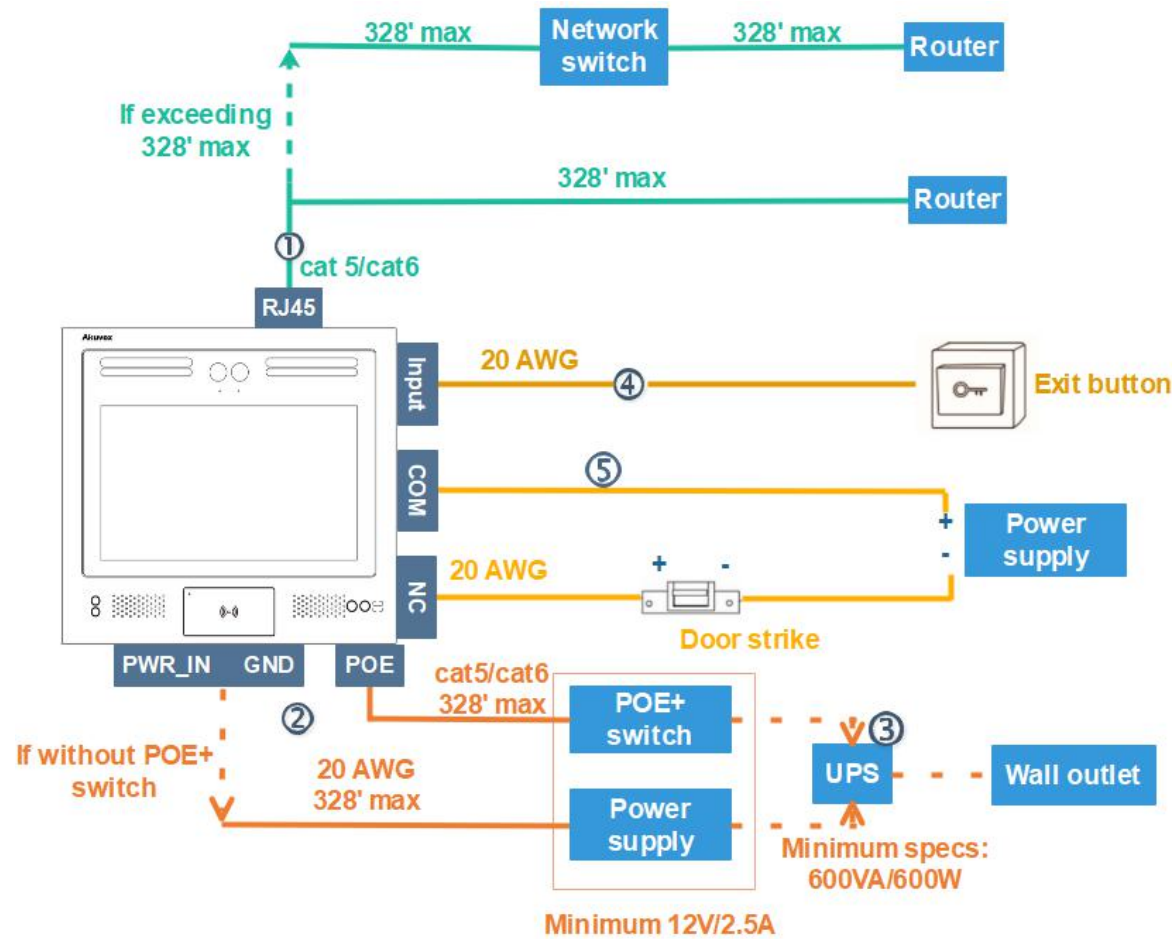




Akuvox Door Phone Wiring Guide

Note: The following wiring diagram is applicable in R29 and X916 series door phone. Here we take X916 for example.

Both R29 and X916 have basically the same connection except for different power consumption.



① **Network connection:** Wiring contractor to install (1) x Cat5/Cat6 from each door phone location directly to Router if under 328'. If wire distance exceeds 328' to router, connect Door phone to Network Switch (328' max) and Network Switch to Router (328' max).

② **Electrical Power:** The power interface of door phone is directly connected to 12V 2.5A power supply. Or connect the POE interface of door phone to POE+ switch, providing both electrical power and network.

③ **Uninterruptible Power Supply:** To prevent voltage drops and surges, Akuvox door phone can be installed with a UPS device.

Tips: R29: power consumption is 12V1.5A; UPS minimum spaces is 600 VA/300 W. X916: power consumption is 12V2.5A; UPS minimum spaces is 600 VA/600 W.

④ **Exit button:** Install (1)x 20 AWG from each door phone input interface to exit button. When the signal is sent through the input interface, door phone confirms to unlock the door.

⑤ **Door strike:** Strongly suggest all door strike wiring to be home-run directly to relay interface. To adjust timing/delay, please refer to Akuvox X916/R29 admin guide.

Tips: For more details of wiring connection, please refer to Akuvox wiki:

http://wiki.akuvox.com/doku.php?id=outdoor_station:integration_with_third_party_devices:index

13" DOORPHONE WITHOUT POE CONNECTION

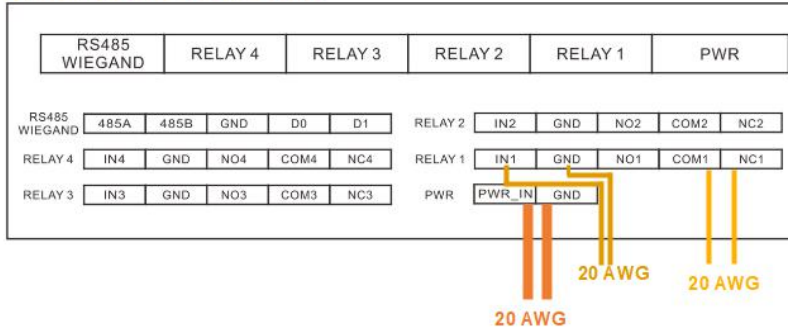
LEFT INTERFACE PANEL

Remove the cards before opening the rear cover.



Cat 5/Cat 6

RIGHT INTERFACE PANEL



13" DOORPHONE WITH POE CONNECTION

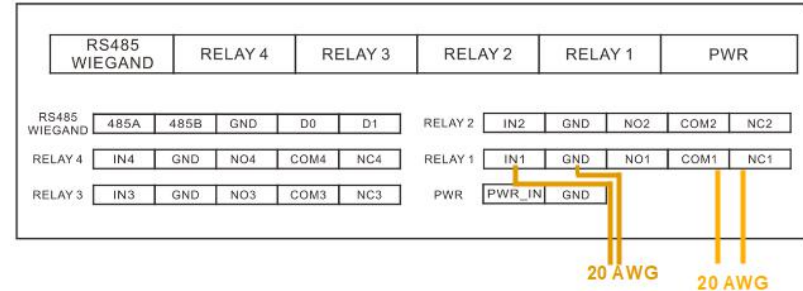
LEFT INTERFACE PANEL

Remove the cards before opening the rear cover.

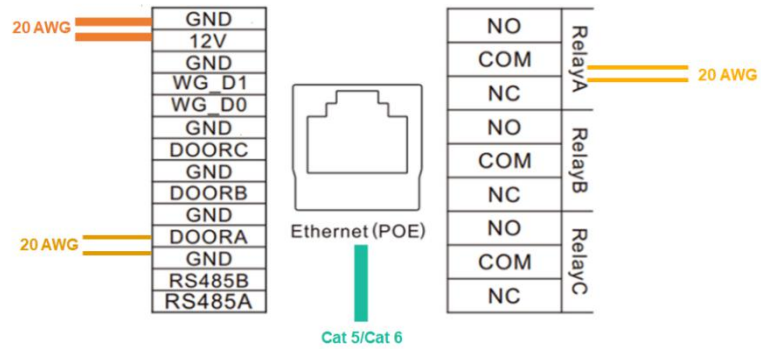


Cat 5/Cat 6

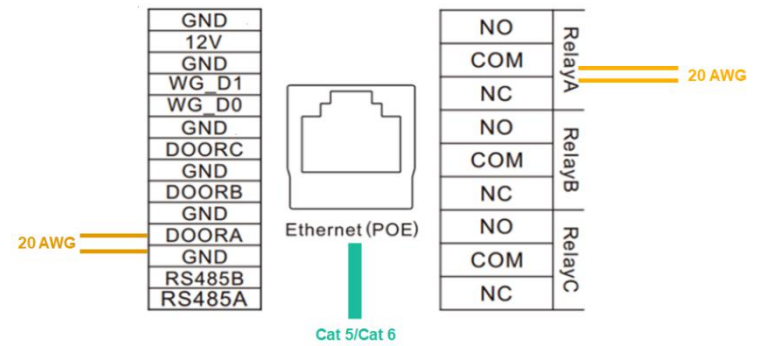
RIGHT INTERFACE PANEL



7" DOORPHONE WITHOUT POE CONNECTION



7" DOORPHONE WITH POE CONNECTION



Frequently Asked Questions Guide (FAQ):

1. **Q:** What is the maximum network cable distance can Akuvox intercom support?

A: 100m/328feet.

2. **Q:** What is the Power consumption of door phone

A:

Model	Power mode	Standby Power Consumption(W)	Full Load Power Consumption(w)
X916	POE	10.3W	24W
	Power supply	11.9W	30W
R29C	POE	7.8W	13W
	Power supply	6.6W	13W
R29S	POE	7.8W	12W
	Power supply	6.6W	12W
R29C-B	POE	7.8W	13W
	Power supply	6.6W	13W
R29C-L	POE	X	X
	Power supply	6.6W	16.6W

R28A	POE	3.9W	11.7W
	Power supply	2.5W	9.6W
R27A	POE	2.5W	9.7W
	Power supply	1.9W	8.4W
R26B	POE	2.673W	8.879W
	Power supply	1.92W	7.2W
R26C	POE	1.857W	8.245W
	Power supply	1.44W	6.72W
R26P	POE	1.699W	8.063W
	Power supply	1.32W	6.6W
R23C	POE	1.45W	7.293W
	Power supply	0.72W	6W
R23P	POE	1.314W	7.248W
	Power supply	0.6W	5.88W
R20A	POE	3.31W	7.2W
	Power supply	2.91W	6.3W
R20K	POE	2.3W	6.425W
	Power supply	1.9W	5.58W

3. **Q:** How many amps can the Akuvox door phone relays handle?

A:

Relay Contact Rating of R20 Series	2A 30VDC / 0.5A 125VAC
Relay Contact Rating of other models	3A 30VDC / 0.5A 125VAC