



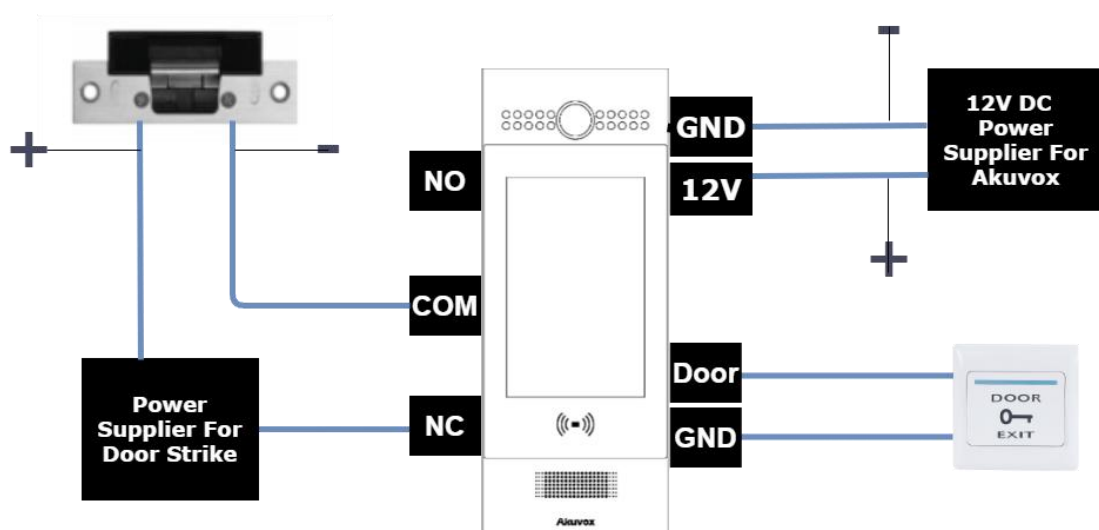
Akuvox Door Lock Wiring Diagram

Note:

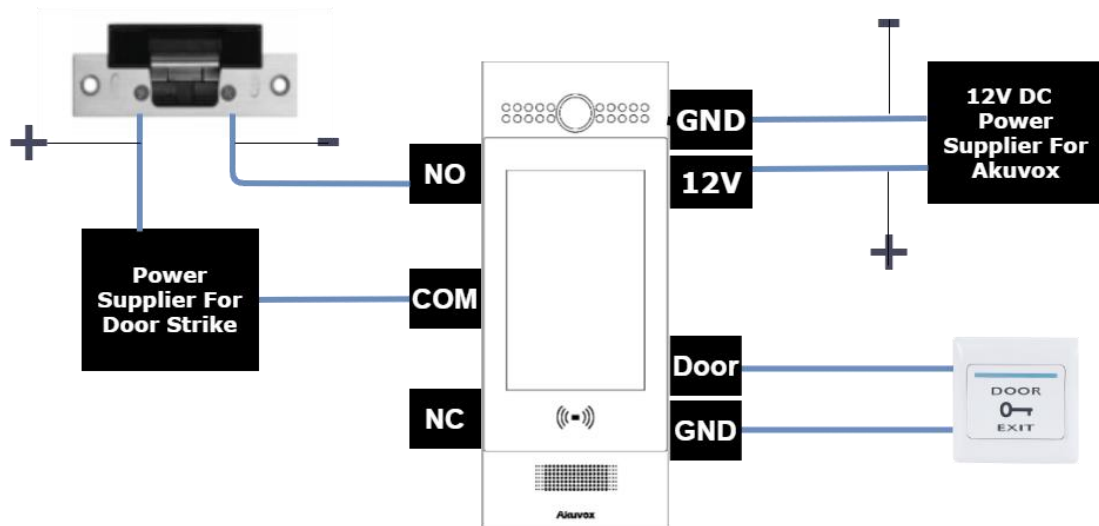
1. Akuvox integrates circuit protection onto the main board, so we can directly connect Door Strike to Akuvox door phone.
2. When installing a Akuvox door phone at a building without an access control system, the Akuvox needs to be wired directly to a Door Strike.
3. Since Akuvox door phone's relay terminals do not have power output for Door Strike, so the installation requests external power supplier for Door Strike. (Please select the correct power supplier as per parameters of Door Strike.)

Relay Contact Rating of R20 Series	2A 30VDC / 0.5A 125VAC
Relay Contact Rating of other models	3A 30VDC / 0.5A 125VAC

Here is the wiring diagram for Door Strike whose type is **unlocked when power off** while **locked when power on**. In this case, the connection ensures accessibility in case of power losing.



Here is another wiring diagram for Door Strike whose type is **unlocked when power on while locked when power off**. In this case, the connection ensures security in case of power losing.



Note:

1. Please consult the door strike manufacturer for the power supply specifications of the door strike.
2. The above connections can also be replaced by an electromagnetic lock.